

Printronix Technical Bulletin	Number T- 0027	Revision A
	Product Type T5000	Date 11/02
Subject T5000 Vs. T5000^e T5000^e Changes and Differences From T5000	Originator Randy Carter and Dennis Litton	Page 1 of 7

Subject:

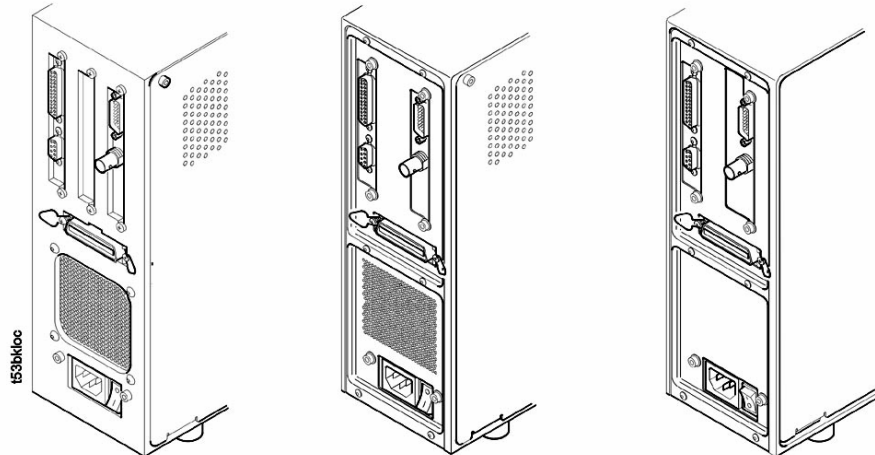
Explain and document the differences and changes between the T5000 and the T5000^e thermal printers.

Information:

Printronix has launched the T5000^e with several major component changes. The T5000^e major enhancements are: Dual Media Sensor capability for sensing TOF on media not previously supported with the T5000, a ventless cabinet for operation in environments with a high degree of airborne particles and the ability to support a wireless interface. The T5000^e marking appears on the media cover logo and on the rear panel ID label.

NOTE: The T5000 cannot be upgraded to a T5000^e Dual Media Sensor/Ventless printer.

1. Prior to the T5000^e the chassis had a tooling change, the rear panel was machined out and a configurable plate was added. This, with a solid side cover and an upgraded power supply, allows the printer to be configured as ventless. (See figure 1)



TYPE 1
T5000 Early Chassis

TYPE 2
T5000 Vented

TYPE 3
T5000^e Ventless

Figure 1

Printronic Technical Bulletin	Number T- 0027	Revision A
Subject T5000 Vs. T5000^e T5000^e Changes and Differences From T5000		Page 2 of 7

2. The new power supply, PN 173344-001, with the fan moved further inboard (See Figure 2) must be used in the T5000^e ventless printer. The new power supply is backward compatible to all T5000 printer models. The earlier version power supply, PN 750489-001, cannot be used in the new ventless chassis and to prevent its use a metal tab on the inside of the ventless rear panel interferes with the fan's rotation and causes a 'Power Supply Hot See Manual' fault message when the printer is first powered on. When the inventory of earlier style power supplies is exhausted the new supply will be the only one available for all T5000 printers.

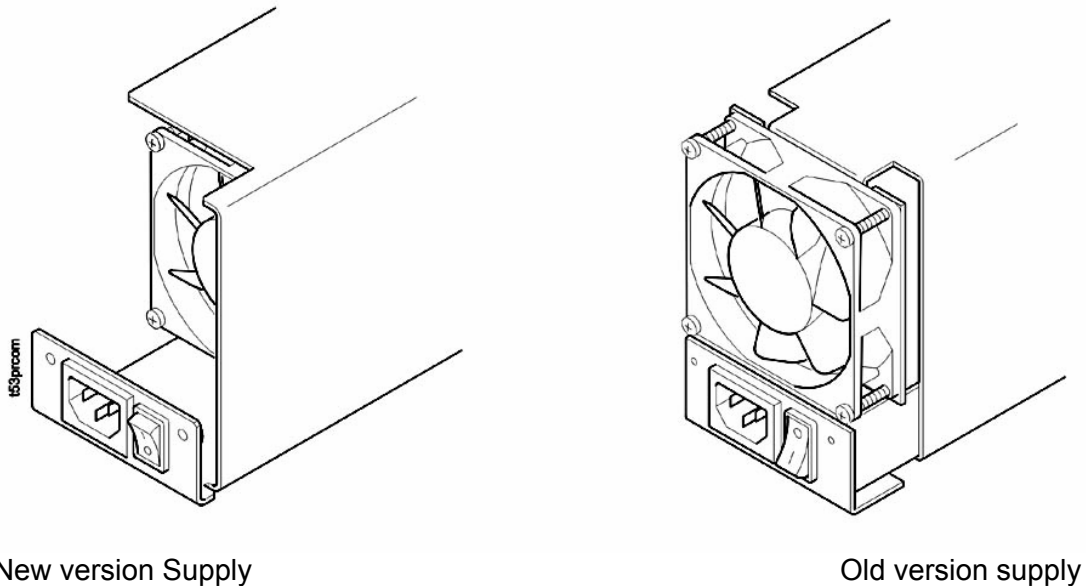


Figure 2

Important: Use only the new version power supply PN 173344-001 in T5000^e ventless printers. Do not use earlier version power supply PN 750489-001 in a T5000^e ventless printer or a 'POWER SUPPLY HOT See Manual' fault message will appear on the display as soon as the printer is powered on.

Printronic Technical Bulletin	Number T- 0027	Revision A
Subject T5000 Vs. T5000° T5000° Changes and Differences From T5000		Page 3 of 7

3. The new V5 Controller PCBA, 175077-901, must be used in the T5000° printer. The V5 Controller has two new connectors to support the Dual Media Sensor T5000°, **J21** for the Upper Media Sensor cable and **J15** for the Lower Media Sensor cable (See Figure 3). The V5 Controller PCBA is backward compatible, works in all versions of T5000 printers and supports the same Flash memory, DRAM, Security PAL and **J12** connector for the Single Media Sensor T5000. The earlier version Controller PCBA, PN 171662-901 cannot be used in the T5000° printer as there are no connectors to accept the new Upper and Lower Sensor signal cables.

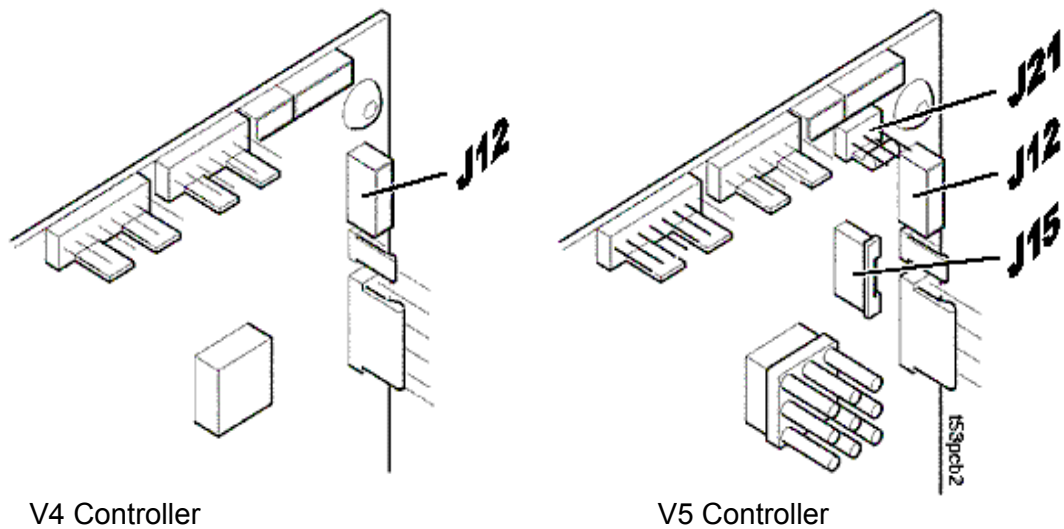
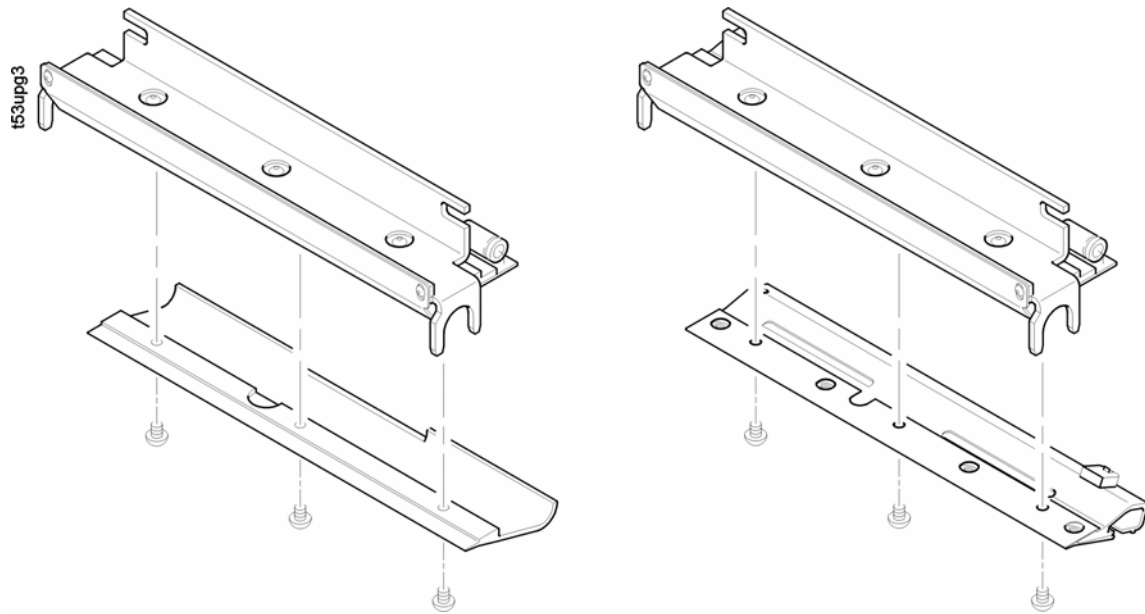


Figure 3

Printronic Technical Bulletin	Number T- 0027	Revision A
Subject T5000 Vs. T5000^e T5000^e Changes and Differences From T5000		Page 4 of 7

4. There is a new set of part numbers for the Printhead Assembly used in the T5000^e (See Chart 1). The printhead is the same, but the printhead cover was changed for two reasons. 1) The cover is flexible to flatten media for better gap sensing and 2) Has an upper sensor array to allow true transmissive sensing of troublesome media. This upper sensor array is used only in the T5000^e printers. The new Printhead Assemblies are compatible with all T5000 and T5000^e printers, but the sensor array will only work on the “e” printers. For upper Media Sensor problems, in the field, the printhead cover can be ordering and replacing without replacing the entire Printhead Assembly (See Figure 4).



Old rigid cover, no sensor

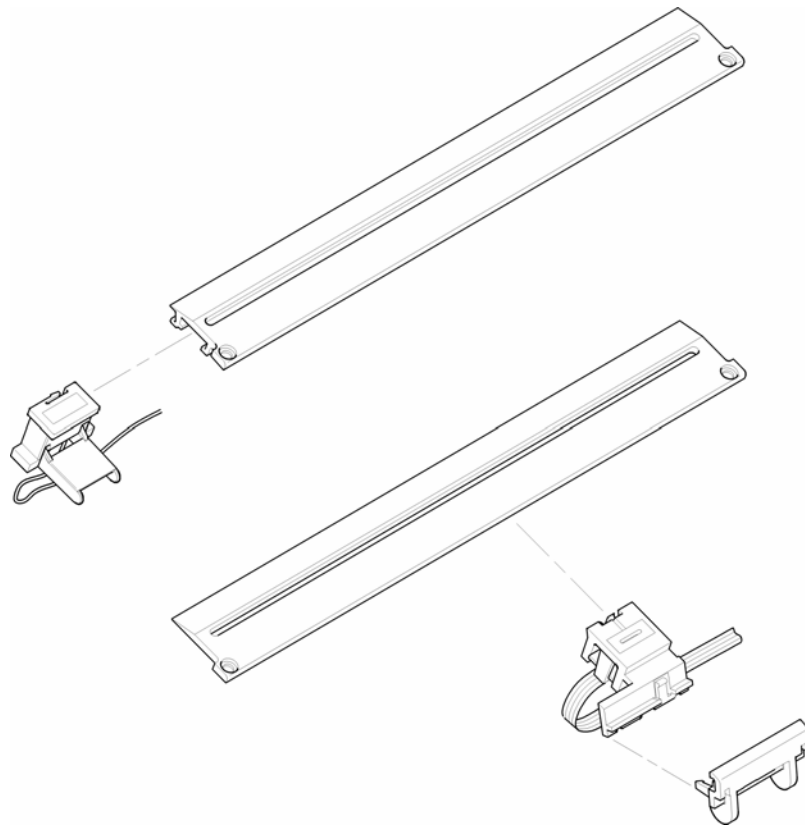
New flex cover, sensor array

Figure 4

Printronic Technical Bulletin	Number T- 0027	Revision A
Subject T5000 Vs. T5000^e T5000^e Changes and Differences From T5000		Page 5 of 7

5. The lower media sensor assembly, for the T5000^e printer has also been changed. Both sensors have a different corresponding Media Guard associated with them and **cannot** be interchanged, (see figure 5). The new lower sensor is used on the T5000^e only and can be identified by the red LED light that shines up towards the printhead cover.

T5000^e Gap/Mark sensor



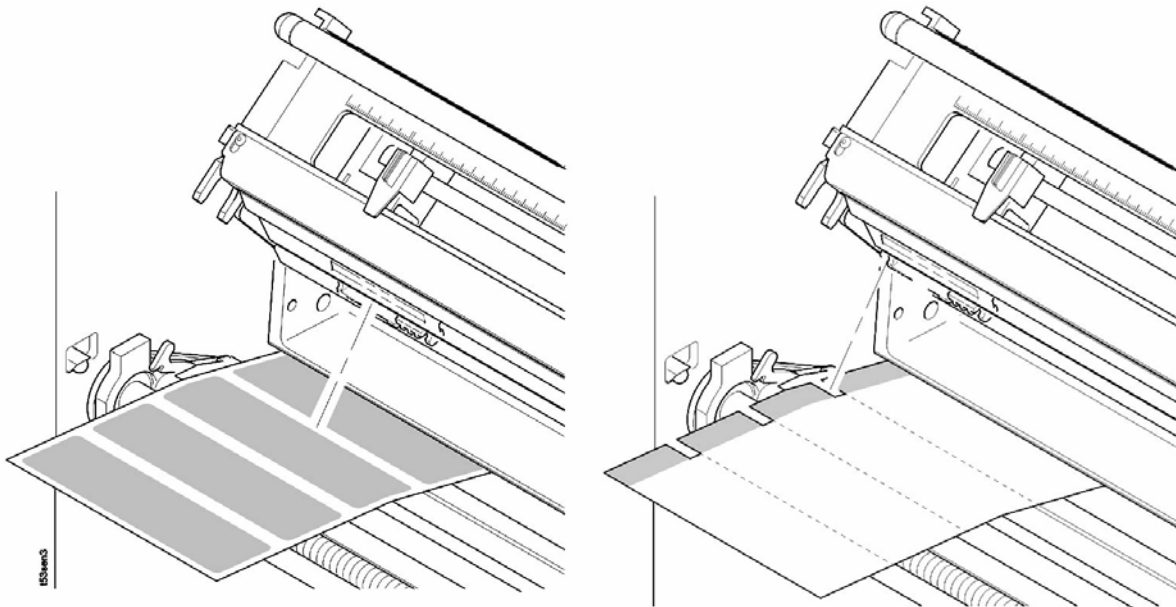
T5000 Gap/Mark sensor

Figure 5

Printronic Technical Bulletin	Number T- 0027	Revision A
Subject T5000 Vs. T5000° T5000° Changes and Differences From T5000		Page 6 of 7

6. Three items were added in the CALIBRATION CTRL submenu of the T5000° configuration menu. Two new choices were added to the Gap/Mark Sensor setting, **Advanced Gap & Advanced Notch**. Also under the CALIBRATE CTRL menu a Paper Out Sensor option was added with Reflective as default and Transmissive as an alternative setting. You will only see these new options in a T5000° printer. Firmware versions, IGP/LP+, V1.11E and above support both the T5000 and T5000°. When the T5000° lower sensor is detected during power up the three new items described above will be visible in the menu. For further information on these settings see the T5000° Users Manual.

Advanced Gap: The upper and lower sensors are used together to detect liner gaps between die cut labels that have a black or dark background. See *Users manual* (PTX part # 174503-001) for more details.



Advanced Notch: The upper and lower sensors are used together to detect notches or holes in media with a black or dark underside. This combination can be found on tag stock that has a black vertical line along one edge on the underside of the label, interrupted by a notch or hole as the label length indicator. See *Users manual* (PTX part # 174503-001) for more details.

Printronic Technical Bulletin	Number T- 0027	Revision A
Subject T5000 Vs. T5000° T5000° Changes and Differences From T5000		Page 7 of 7

The table below shows new parts and part numbers being replaced.
As mentioned earlier some of the older parts will be replaced as stock is depleted.

Part Description	T5000 Part Number	T5000° Part Number
PCBA, T5000e Controller, V4	171662-901	
PCBA, T5000e Controller, V5		175077-901
Power Supply, PFC, ADJ, V2 (Vented)	750489-901	
Power Supply, PFC, ADJ, V3 (Ventless)		173344-001
Cable, Upper Media Sensor	N/A	175116-001
Assy, PH Cover/Upper Media Sensor, 8in	N/A	175174-901
Assy, PH Cover/Upper Media Sensor, 6in	N/A	175174-902
Assy, PH Cover/Upper Media Sensor, 4in	N/A	175174-903
Field Kit, Lower Media Sensor Ph 3	N/A	173624-001
Guard, Media, Phase 3, 8in	171484-001	173255-001
Guard, Media, Phase 3, 6in	171484-002	173255-002
Guard, Media, Phase 3, 4in	171484-003	173255-003
Field Kit, Printhead Assy, 4in, 203DPI	171899-001	173603-001
Field Kit, Printhead Assy, 4in, 300DPI	171900-001	173606-001
Field Kit, Printhead Assy, 6in, 203DPI	170888-001	173609-001
Field Kit, Printhead Assy, 6in, 300DPI	170889-001	173612-001
Field Kit, Printhead Assy, 8in, 203DPI	170890-001	173615-001
Field Kit, Printhead Assy, 8in, 300DPI	170891-001	173617-001